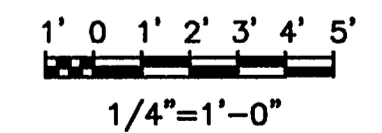


NOTES:
 1. SEAL ANNULUS SPACE BETWEEN PIPE AND METAL PLATING.

NOTE:
 PROVIDE FLEXIBLE CONNECTIONS FOR ALL PIPING TO ODOR CONTROL UNIT PAD.



*** RECORD DRAWINGS ***
 THESE RECORD DRAWINGS SHOW THE WORK COMPLETED DURING CONSTRUCTION. THEY ARE BASED ON DATA FURNISHED BY THE CONTRACTOR TO THE ENGINEER.
 DATE _____

REVISIONS:				
NO.	DATE	ISSUED FOR	BY	

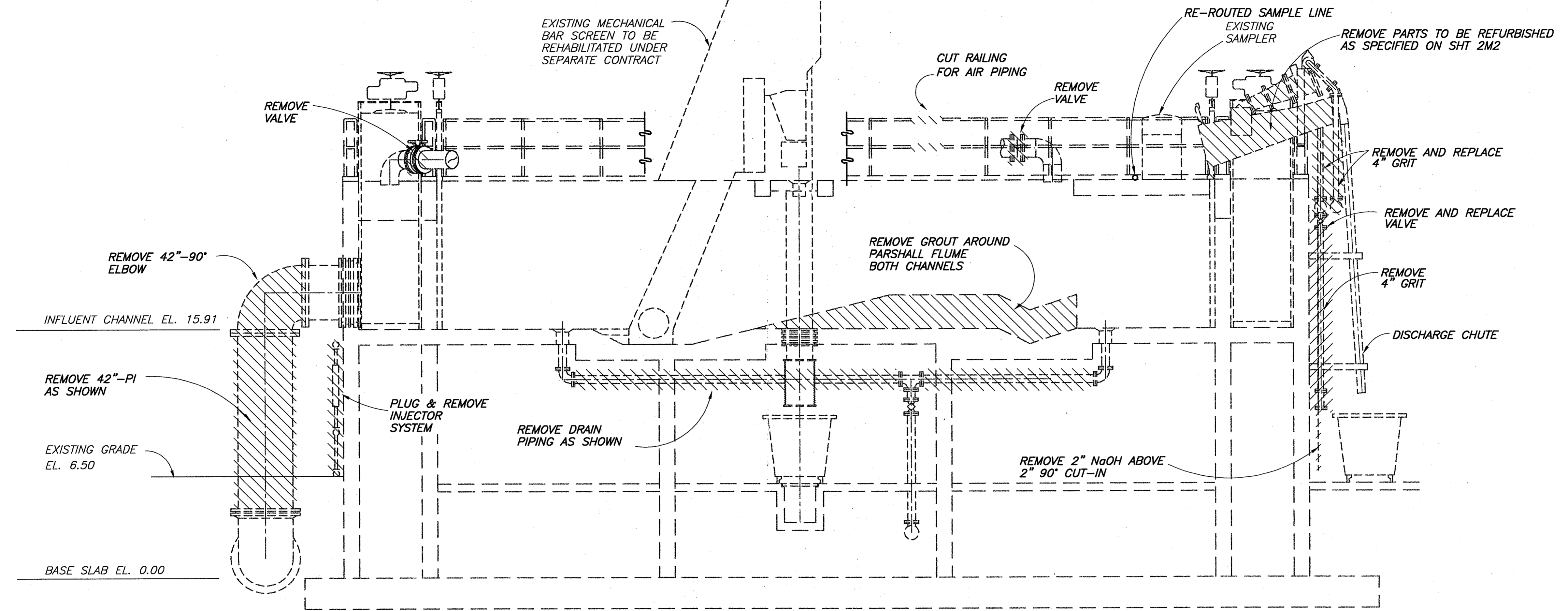
R.E. BENSON, P.E.
 Florida Reg. No. 39926

HMA HOLE, MONTES & ASSOCIATES, INC.
 ENGINEERS - PLANNERS - SURVEYORS

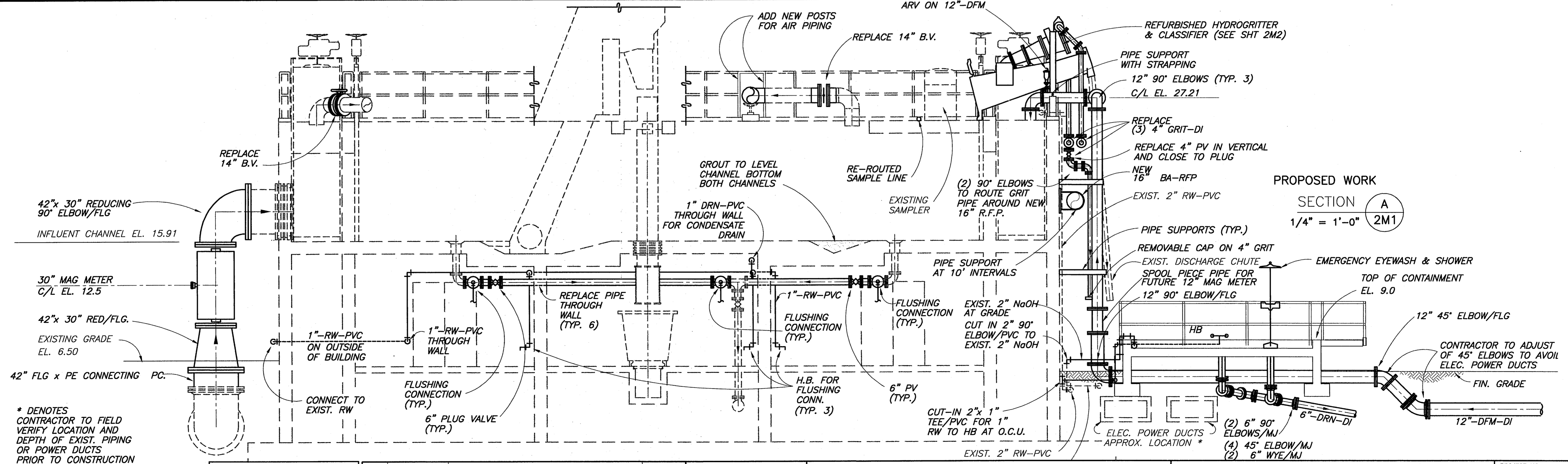
DESIGNED: J.R.T.	DRAWN: C.C.L.	CHECKED: H.H.H.	PROJ. ENG.: J.R.T.
------------------	---------------	-----------------	--------------------

CITY OF NAPLES WWTRF EXPANSION & UPGRADE
 PRELIMINARY TREATMENT FACILITY
 TOP PLAN

PROJECT NO. 96.18
 DATE: 10/00
 SHEET: 2M3



DEMOLITION
SECTION A
1/4" = 1'-0" 2M1



PROPOSED WORK
SECTION A
1/4" = 1'-0" 2M1

* DENOTES CONTRACTOR TO FIELD VERIFY LOCATION AND DEPTH OF EXIST. PIPING OR POWER DUCTS PRIOR TO CONSTRUCTION

*** RECORD DRAWINGS ***
THESE RECORD DRAWINGS SHOW THE WORK COMPLETED DURING CONSTRUCTION. THEY ARE BASED ON DATA FURNISHED BY THE CONTRACTOR TO THE ENGINEER.
DATE _____

REVISIONS:			
NO.	DATE	ISSUED FOR	BY

R.E. BENSON, P.E.
Florida Reg. No. 39926

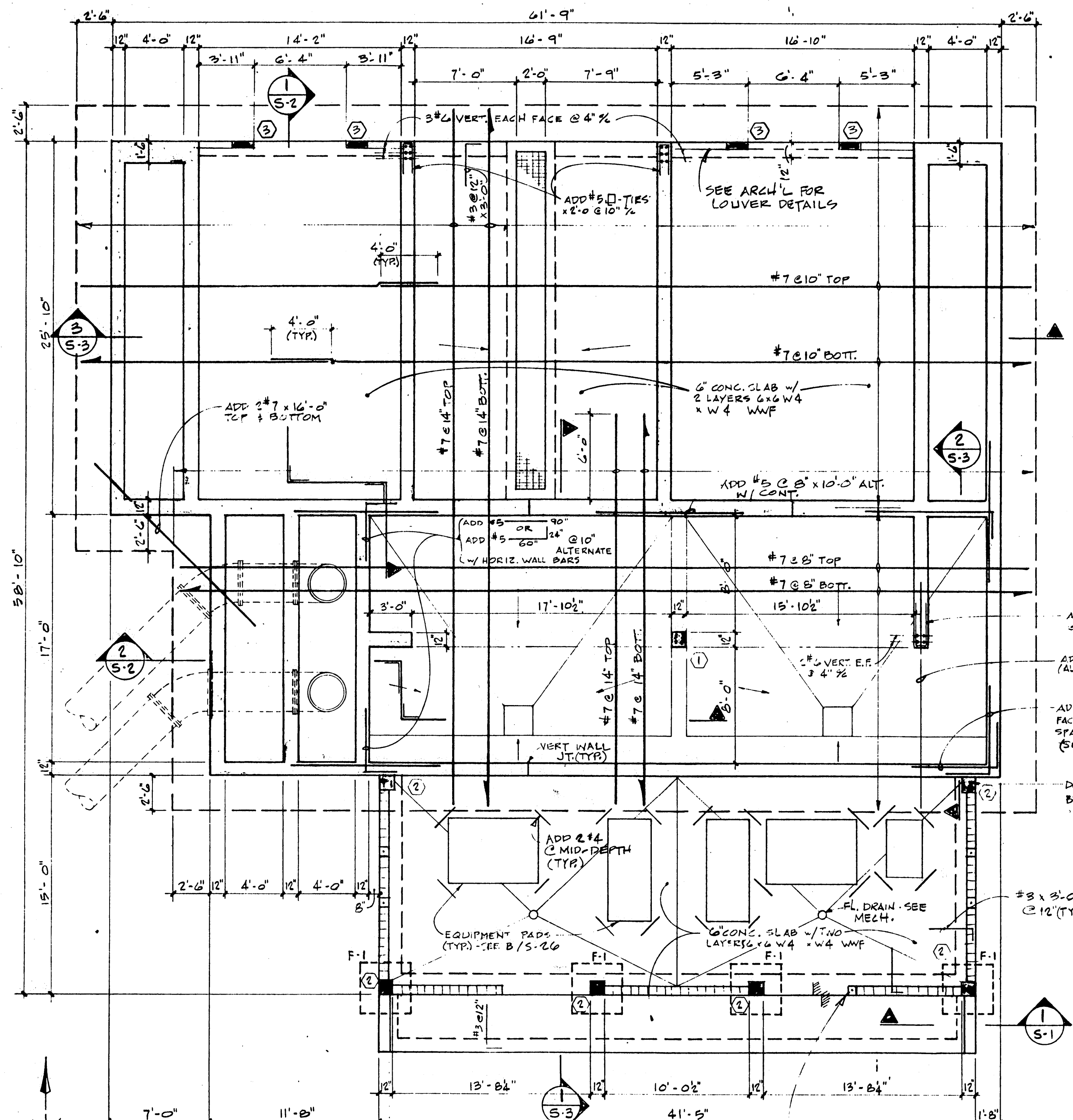
HMA HOLE, MONTES & ASSOCIATES, INC.
ENGINEERS - PLANNERS - SURVEYORS

DESIGNED: J.R.T.	DRAWN: C.C.L.	CHECKED: H.H.H.	PROJ. ENG.: J.R.T.
------------------	---------------	-----------------	--------------------

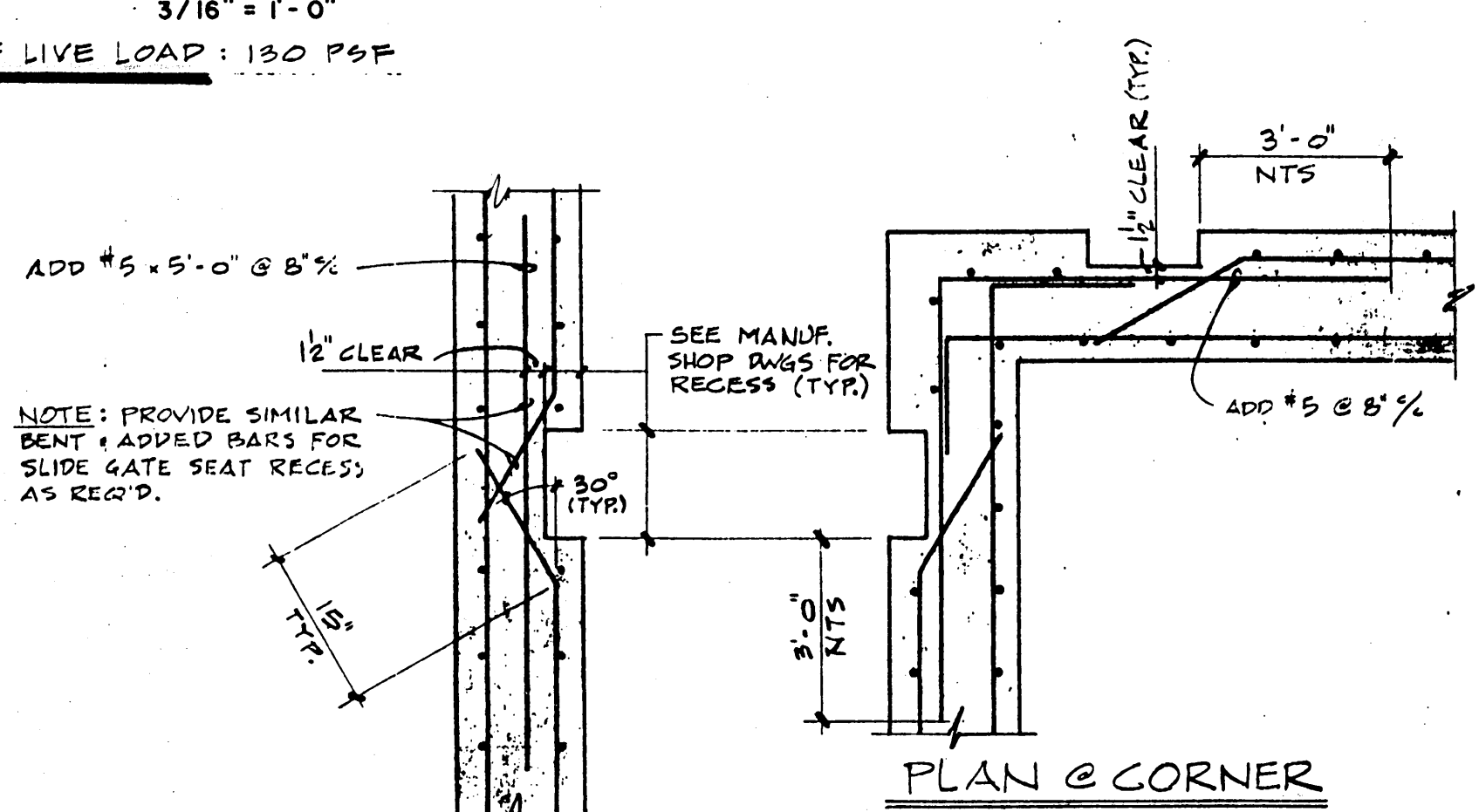
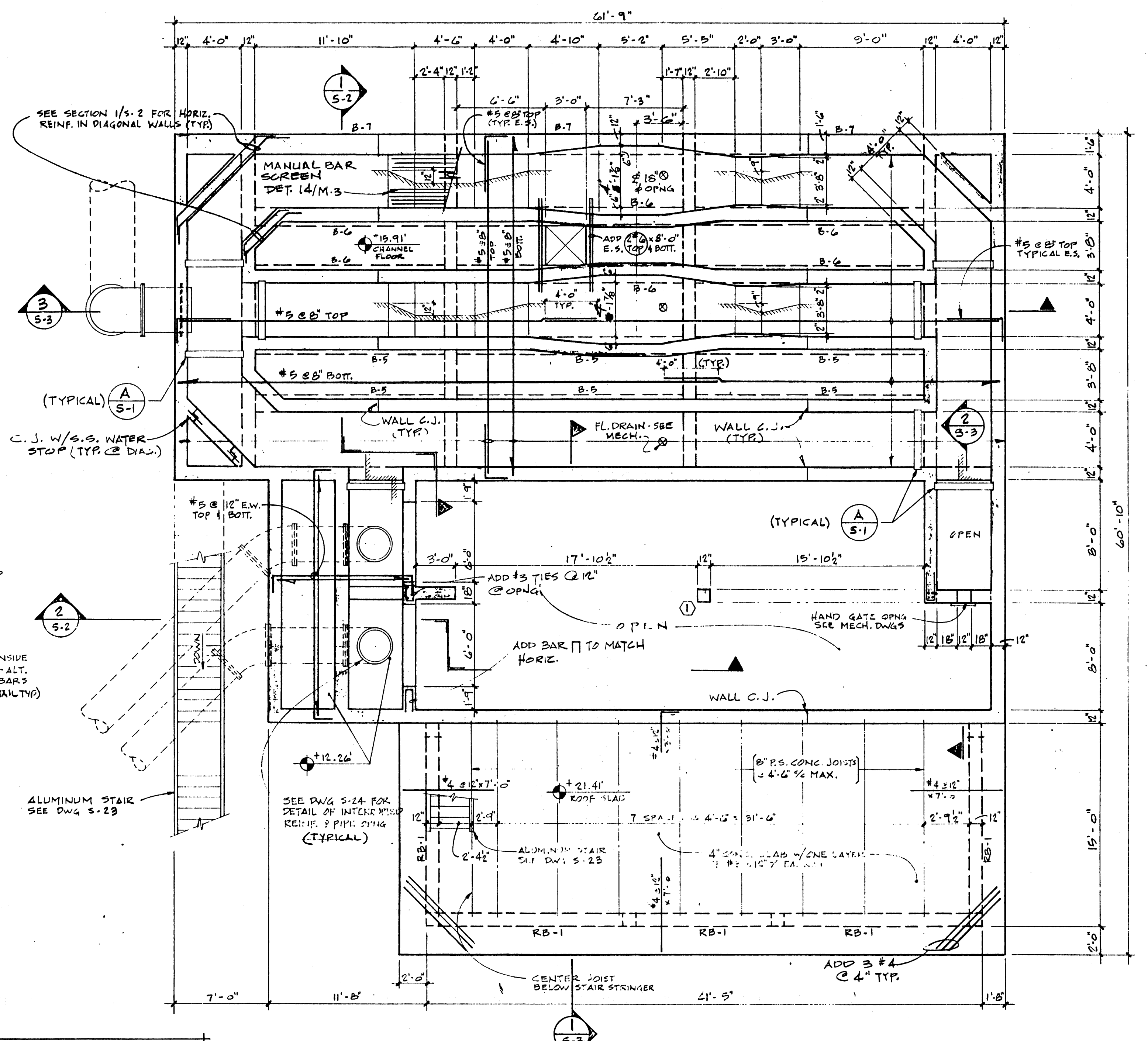
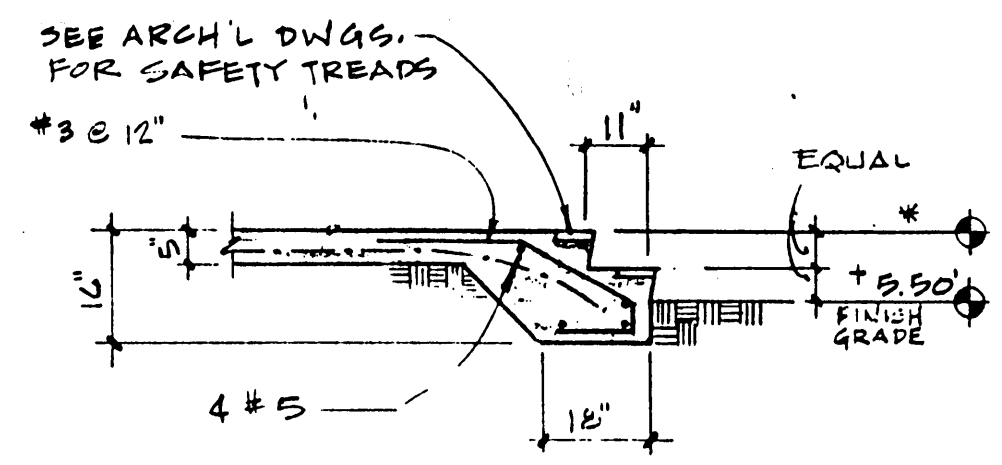
CITY OF NAPLES WWTRF EXPANSION & UPGRADE
PRELIMINARY TREATMENT FACILITY
SECTIONS - SHEET 1

PROJECT NO. 96.18
DATE: 10/00
SHEET: 2M4

DATE STAMP: 09/15/00-0853 PLOT SCALE: 1/4" = 1'-0" CAD REFERENCE: 430783-1-14PLES WWTRF



NOTE:
VERIFY LIMITS OF 1/2" THICK, FIBERGLAS CHANNEL LINER W/MANUF. SHOP DWG. ADJUST STEEL AS REQ'D.



DESIGNED BY: JLR	REV. NO.	DATE	CHKD	REMARKS
DRAWN BY: JLG				
CHECKED BY: JLG				
APPROVED BY: JLG				
DATE: JUNE 1984				

CAMP DRESSER & MCKEE INC.
P.O. Box 9828
2001 Northwest 82nd Street
Fort Lauderdale, Florida 33310

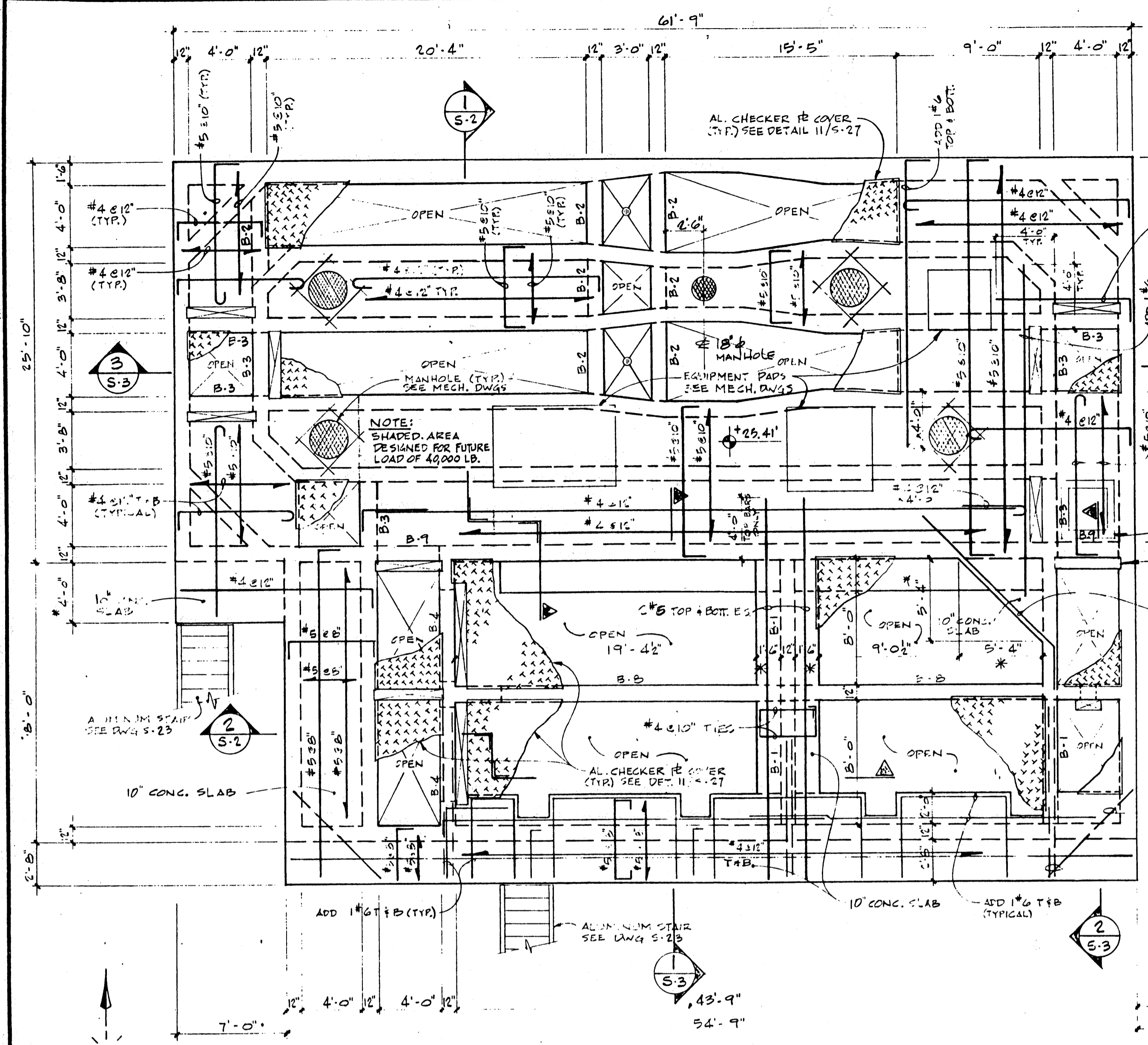
CDM
environmental engineers, architects,
planners, & management consultants.

WASTEWATER TREATMENT PLANT EXPANSION
FOR
CITY OF NAPLES, FLORIDA
PRELIMINARY TREATMENT - PLANS

FT. LAUD. OFFICE
PROJECT NO.
6680-04

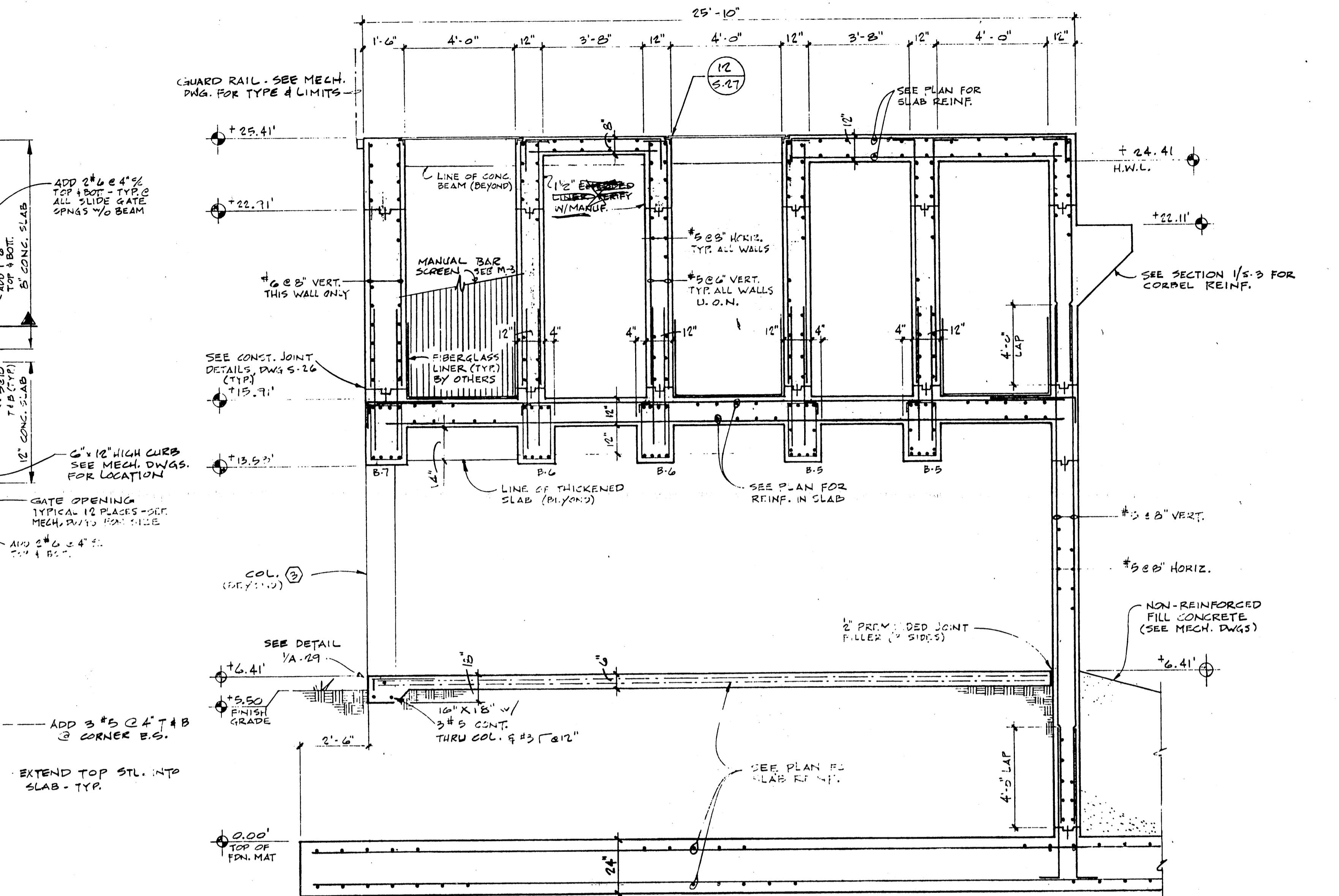
SHEET NO.
S-1

JOHN E. GANT
and
ASSOCIATES, INC. consulting engineers
1305 northeast 23rd avenue, pompano beach, florida 33062

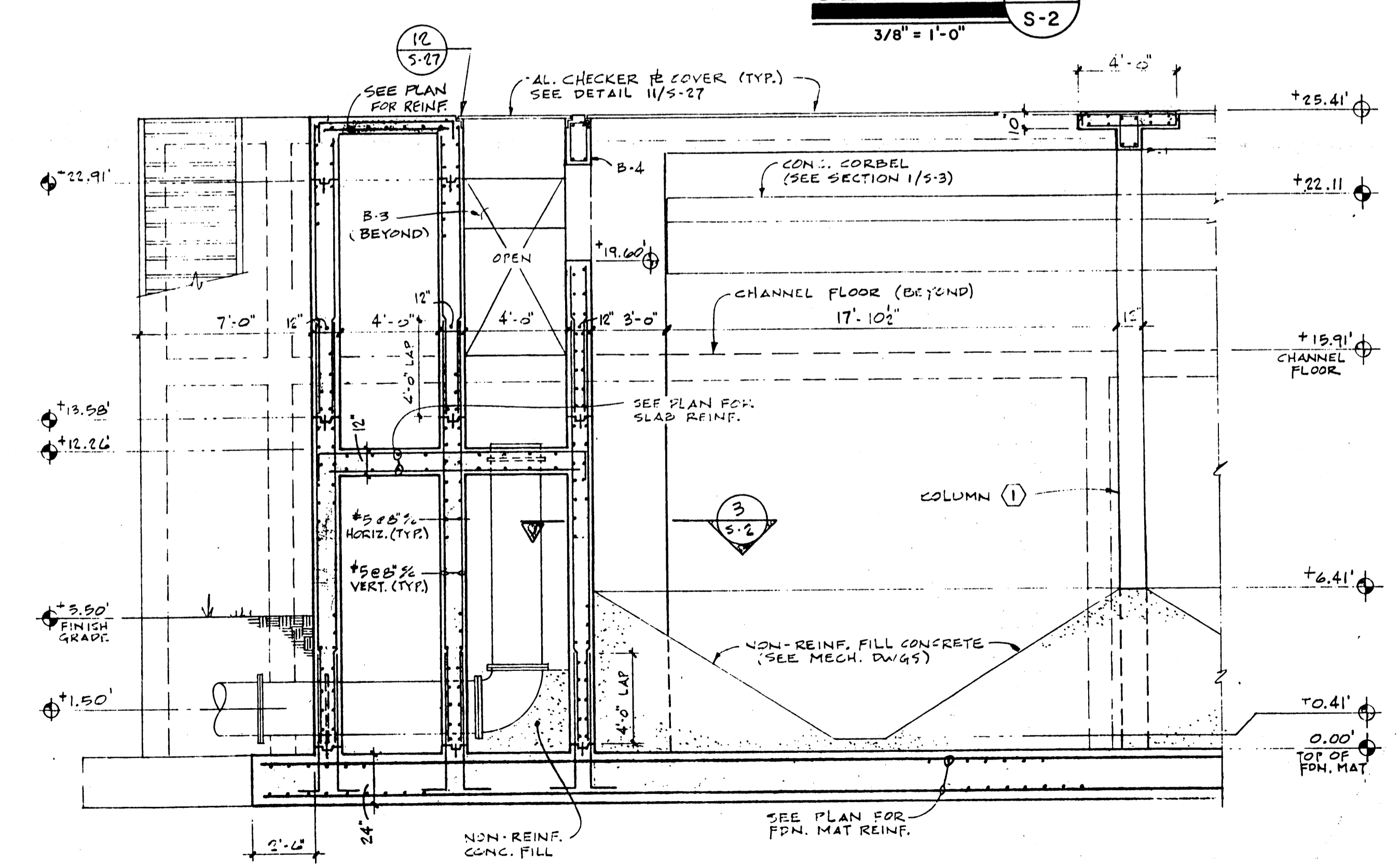


PLAN AT EL. 25.41'
3/16" = 1'-0"

- NOTES:**
 1. * INDICATES DIM. TO BE VERIFIED W/ MECH. DWGS.
 2. LIVE LOAD = 130 PSF

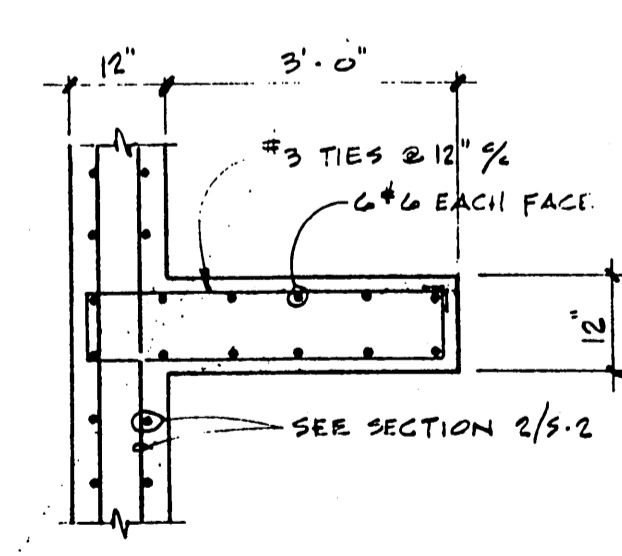


SECTION 1
3/8" = 1'-0"



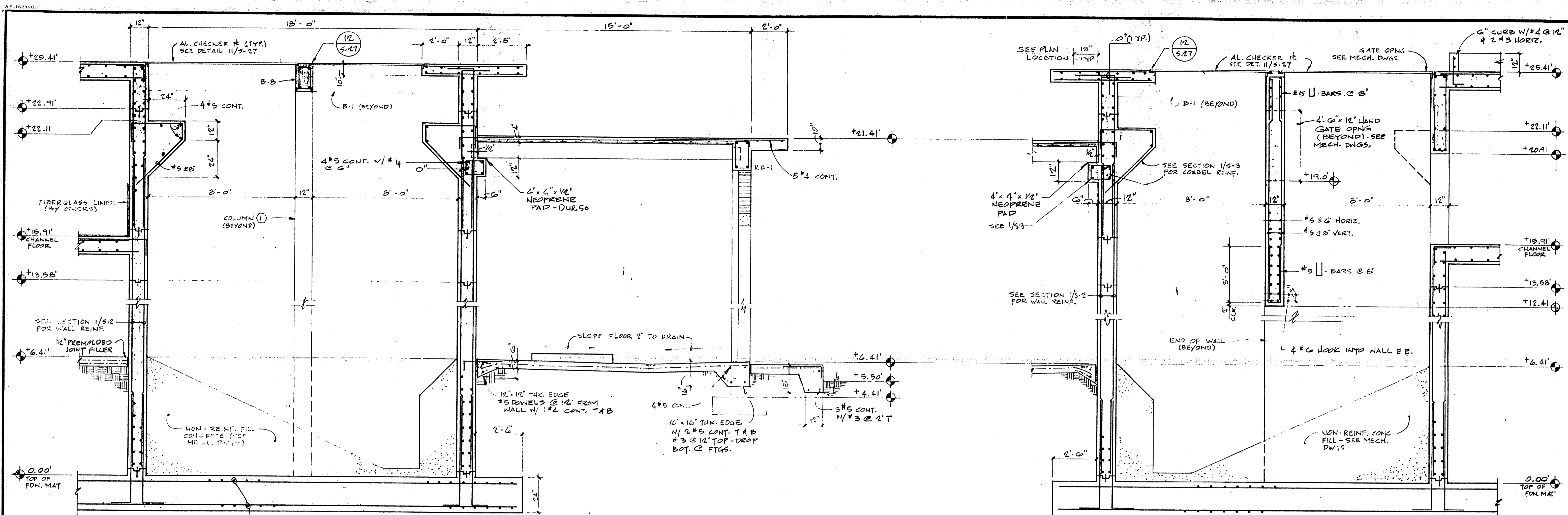
SECTION 2
1/4" = 1'-0"

NOTE:
SEE PLANS ON DWG 3-1 FOR ADDITIONAL WALL REINFORCING NOT SHOWN



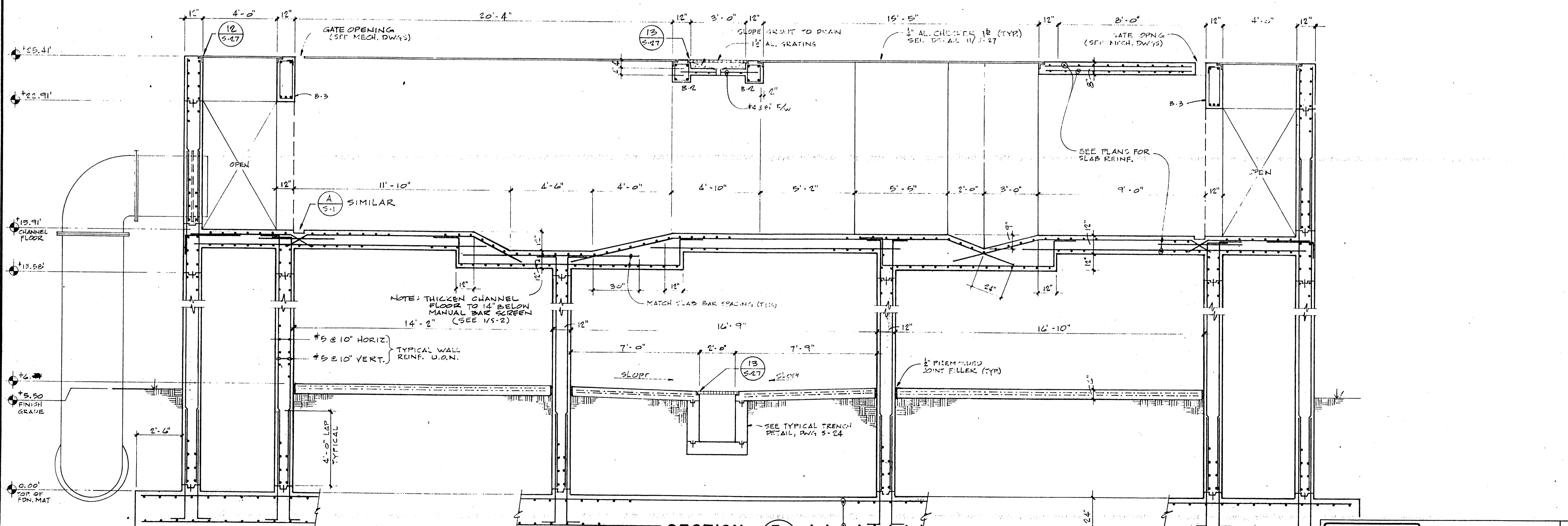
SECTION 3
1/2" = 1'-0"

REMARKS
DESIGNED BY: JR
DRAWN BY: FH
CHECKED BY: SK
APPROVED BY: SK
DATE: JUNE 1984
CDM consulting engineers, scientists, planning, & management consultants
CAMP DRESSER & MCKEE INC. P. O. Box 9626 2001 Northwest 65th Street Fort Lauderdale, Florida 33310
WASTEWATER TREATMENT PLANT EXPANSION FOR CITY OF NAPLES, FLORIDA
PRELIMINARY TREATMENT PLAN & SECTIONS
FT. LAUD. OFFICE PROJECT NO. 6680-04
SHEET NO. 84-01
S-2
JOHN E. GANT and ASSOCIATES, INC. consulting engineers 1305 northeast 23rd avenue, pompano beach, florida 33062



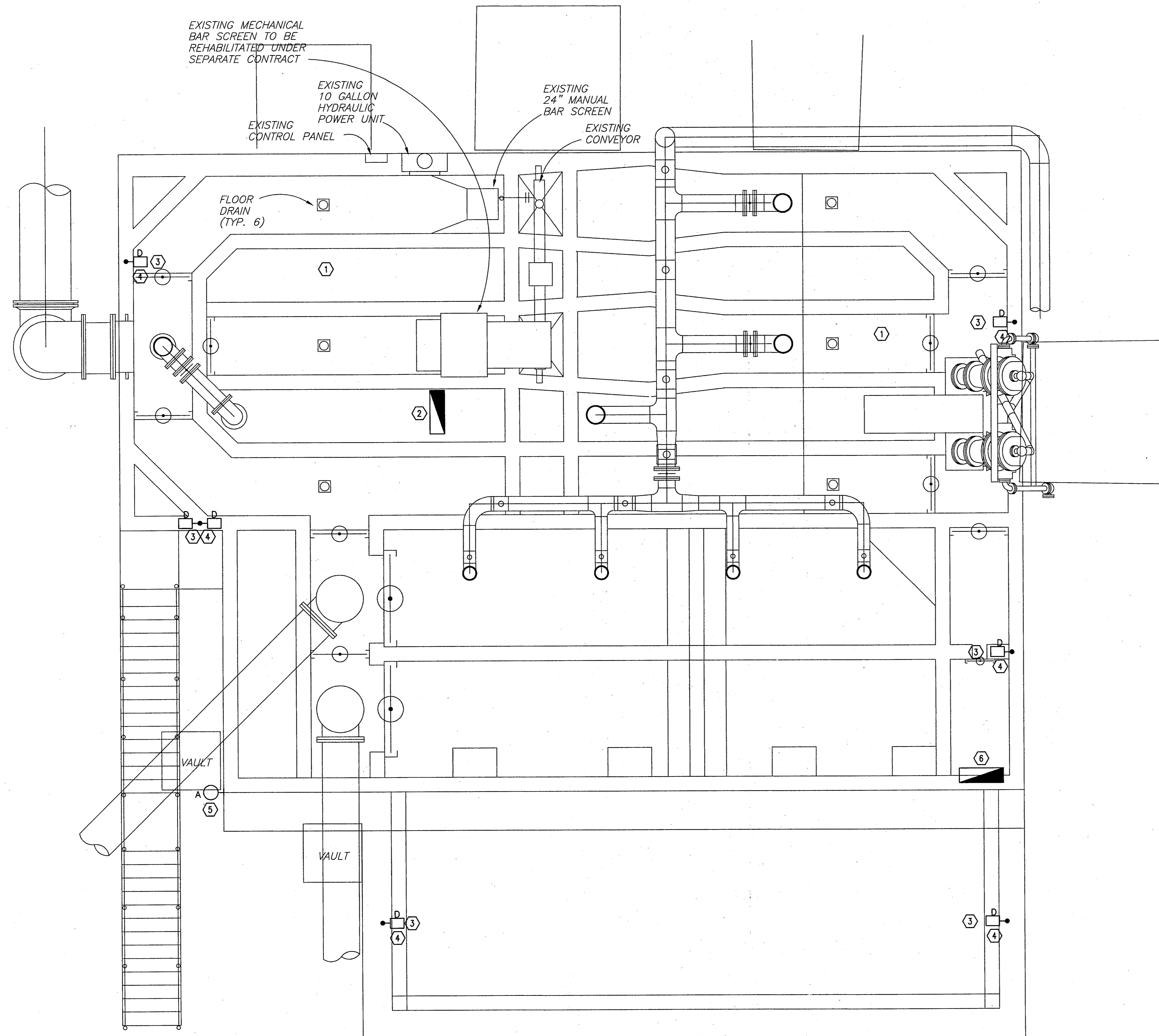
SECTION 1
S-3
3/8" = 1'-0"

SECTION 2
S-3
3/8" = 1'-0"

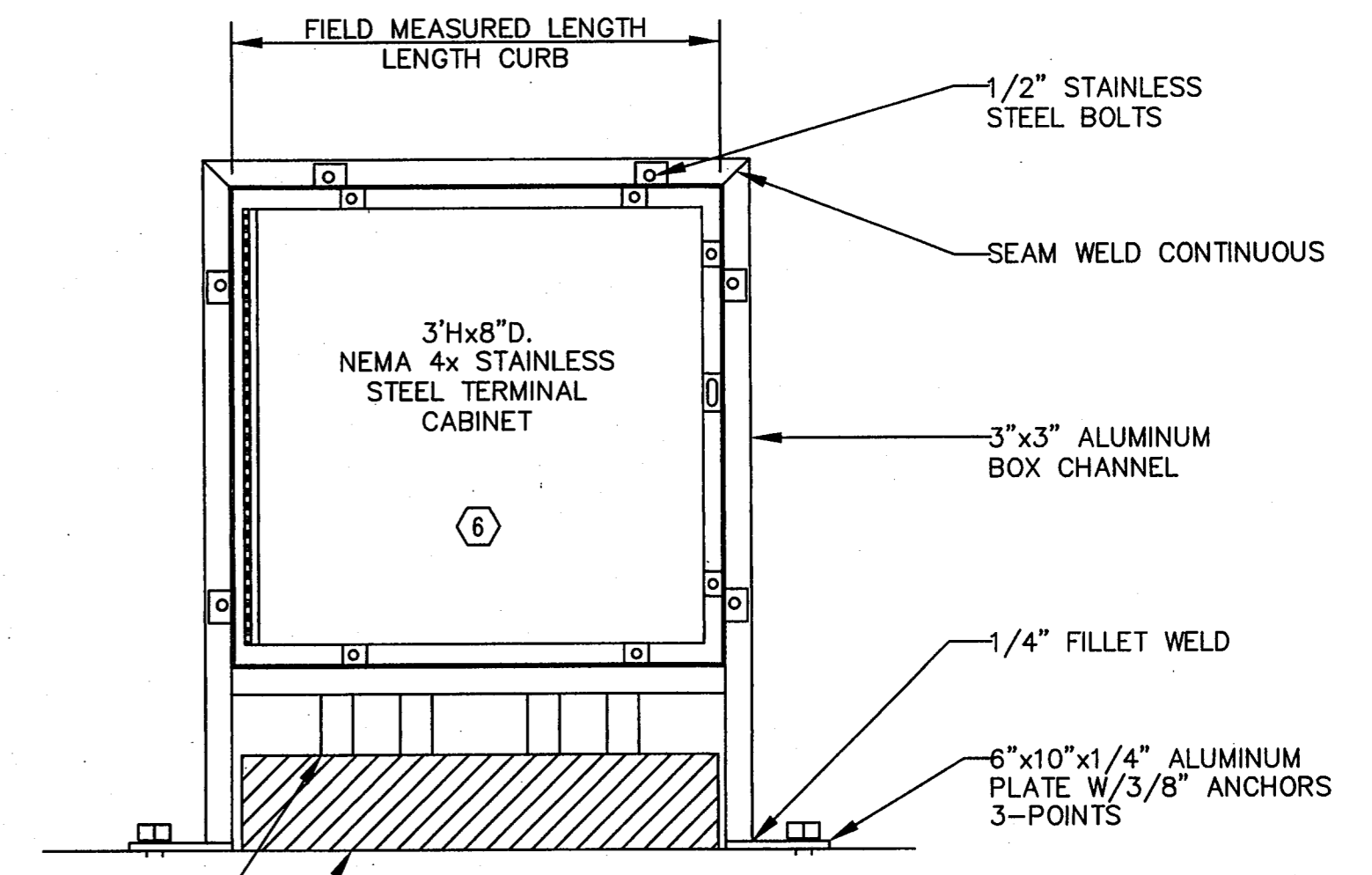
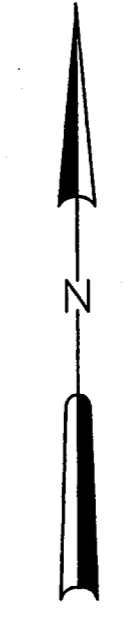


SECTION 3
S-3
3/8" = 1'-0"

REMARKS	
DESIGNED BY: JLR	
DRAWN BY: JLR	
CHECKED BY: JLR	
APPROVED BY: JLR	
DATE: JUNE 1984	
CAMP DRESSER & MCKEE INC. P.O. Box 8698 2001 Northwest 22nd Street Fort Lauderdale, Florida 33310	
environmental engineers, scientists, planners, & management consultants	
CDM	
WASTEWATER TREATMENT PLANT EXPANSION	
FOR	
CITY OF NAPLES, FLORIDA	
PRELIMINARY TREATMENT - SECTIONS	
FT. LAUD. OFFICE PROJECT NO.	6680-04
SHEET NO.	S-3
JCHN E. GANT and ASSOCIATES, INC. consulting engineers 1305 northeast 23rd avenue, pompano beach, florida 33062	

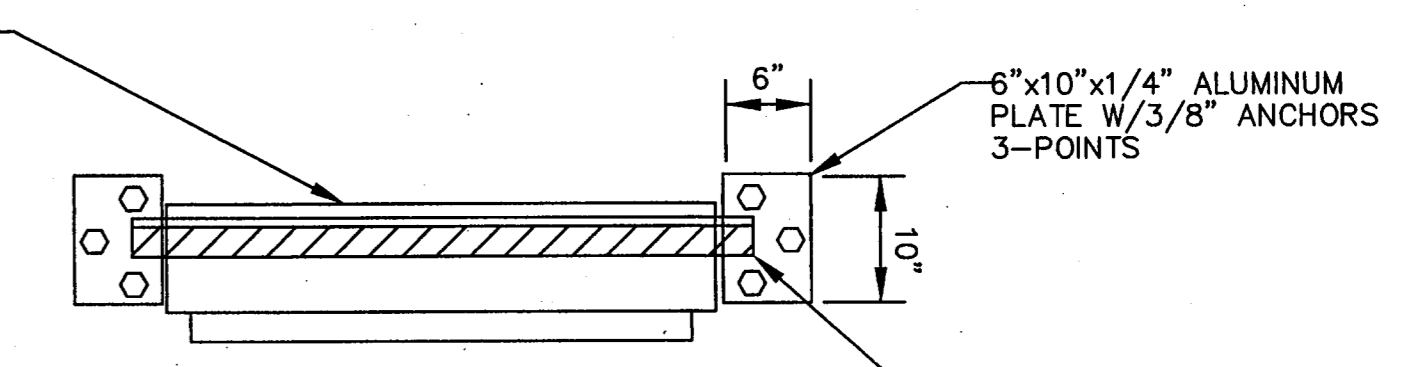


- KEYNOTES**
- EXISTING ELECTRICAL EQUIPMENT, DEVICES, CONDUIT AND WIRING TO REMAIN UNLESS OTHERWISE NOTED.
 - DEMO EXISTING ELECTRICAL TO ODOR CONTROL PANEL, SCRUBBER FAN, RECIRCULATION PUMP AND GAS ALARM PANEL.
 - REPLACE EXISTING LIGHT FIXTURE WITH NEW FIXTURE AS SHOWN ON EXISTING POLE.
 - ROTATE POLE AND BASEPLATE TO ALLOW POLE TO HINGE-DOWN AWAY FROM HANDRAIL AND/OR EQUIPMENT. RELOCATE LIGHT FIXTURE TO ORIGINAL POSITION.
 - REPLACE EXISTING LIGHT FIXTURE WITH NEW FIXTURE AS SHOWN.
 - REPLACE EXISTING WIREWAY AND JUNCTION BOX WITH NEMA 4x, STAINLESS STEEL ENCLOSURE. PROVIDE TERMINAL BLOCKS WITHIN NEW ENCLOSURE. SEE DETAIL THIS SHEET. DURING INSTALLATION OF NEW TERMINAL CABINET RUN TEMPORARY POWER AND CONTROL AS NECESSARY TO EQUIPMENT SERVED TO MAINTAIN OPERATION. PULL NEW CONDUCTORS FROM TERMINAL CABINET TO EQUIPMENT SERVED.



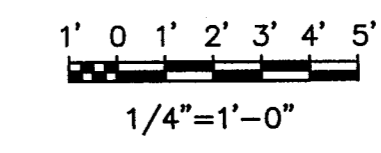
ELEVATION

EXISTING CONDUIT STUBS
REWORK FOR NEW TERMINAL
CABINET
EXISTING CONCRETE CURB



PLAN

RECORD DRAWINGS
 Revisions Drawn by: MEF Date: 11/22/99
 THESE RECORD DRAWINGS HAVE BEEN PREPARED IN PART ON THE BASIS OF INFORMATION COMPILED BY OTHERS. THEY ARE NOT INTENDED TO REPRESENT IN DETAIL THE EXACT LOCATION TYPE OF COMPONENT NOR MANNER OF CONSTRUCTION. THE ENGINEER WILL NOT BE RESPONSIBLE FOR ANY ERRORS OR OMISSIONS WHICH HAVE NOT BEEN INCORPORATED INTO THE RECORD DRAWINGS.



L:\NAP\WWTF\44802e2.dwg 11/23/99 10:36 MEF

JOB NO. 494-480
 CAD FILE: 44802E2
 SCALE: 1/4" = 1'-0"
 DATE: AUG 1995

TLC Tilden Lobnitz Cooper CONSULTING ENGINEERS INC.
 1500 Royal Palm Square Blvd., Ste. 102
 Ft. Myers, Florida 33919 (813) 275-4240
 • Orlando • Ft. Myers • Tallahassee • Cleveland • Cocoa •

NO.	DATE	ISSUED FOR	BY

DON WILLIAMS, P.E.
 Florida Reg. No. 29504

HMA HOLE, MONTES & ASSOCIATES, INC.
 ENGINEERS - PLANNERS - SURVEYORS

DESIGNED: - DRAWN: - CHECKED: - PROJ. ENG.: -

CITY OF NAPLES WWTRF EXPANSION & UPGRADE

**PRELIMINARY TREATMENT FACILITY
 TOP LEVEL PLAN
 POWER, LIGHTING AND INSTRUMENTATION**

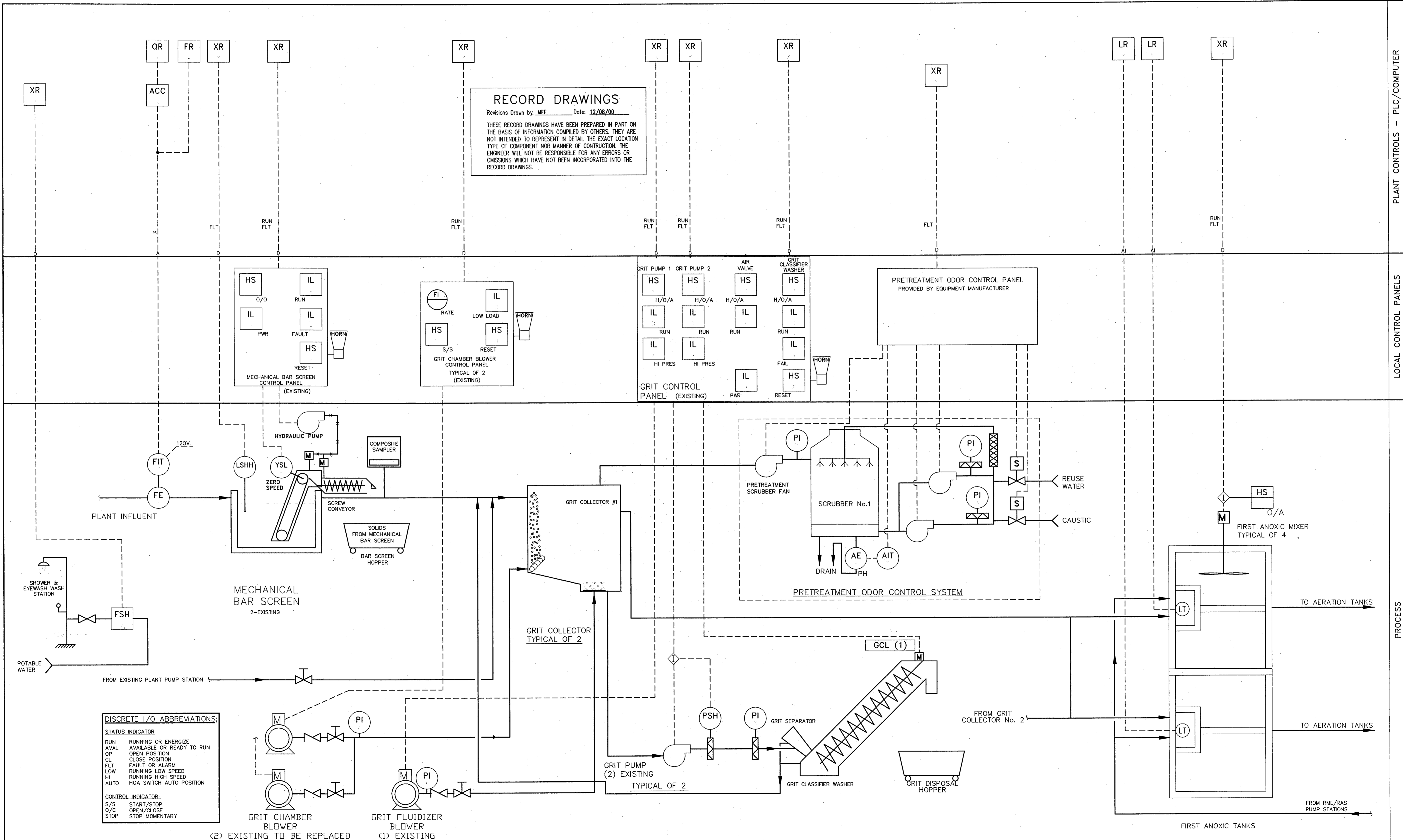
PROJECT NO. 94.30
 DATE: 08/95
 SHEET: 2E2

PLANT CONTROLS - PLC/COMPUTER

LOCAL CONTROL PANELS

PROCESS

RECORD DRAWINGS
 Revisions Drawn by: MEF Date: 12/08/00
 THESE RECORD DRAWINGS HAVE BEEN PREPARED IN PART ON THE BASIS OF INFORMATION COMPILED BY OTHERS. THEY ARE NOT INTENDED TO REPRESENT IN DETAIL THE EXACT LOCATION TYPE OF COMPONENT NOR MANNER OF CONSTRUCTION. THE ENGINEER WILL NOT BE RESPONSIBLE FOR ANY ERRORS OR OMISSIONS WHICH HAVE NOT BEEN INCORPORATED INTO THE RECORD DRAWINGS.



DISCRETE I/O ABBREVIATIONS:

STATUS INDICATOR	
RUN	RUNNING OR ENERGIZE
AVAIL	AVAILABLE OR READY TO RUN
OP	OPEN POSITION
CL	CLOSE POSITION
FLT	FAULT OR ALARM
LOW	RUNNING LOW SPEED
HI	RUNNING HIGH SPEED
AUTO	HOA SWITCH AUTO POSITION
CONTROL INDICATOR	
S/S	START/STOP
O/C	OPEN/CLOSE
STOP	STOP MOMENTARY

(2) EXISTING TO BE REPLACED (1) EXISTING

JOB NO. 494-480	<p>Tilden Lobnitz Cooper CONSULTING ENGINEERS INC. 1500 Royal Palm Square Blvd., Ste. 102 Ft. Myers, Florida 33919 (813) 275-4240 • Orlando • Ft. Myers • Tallahassee • Cleveland • Cocoa •</p>	REVISIONS:	<p>HMA HOLE, MONTES & ASSOCIATES, INC. ENGINEERS - PLANNERS - SURVEYORS</p>	CITY OF NAPLES WWTRF EXPANSION & UPGRADE		PROJECT NO. 94.30						
CAD FILE: 4480211		NO.		DATE	ISSUED FOR	BY	DESIGNED:	DRAWN:	CHECKED:	PROJ. ENG.:	PRELIMINARY TREATMENT AND FIRST ANOXIC TANKS	DATE: 08/95
SCALE: 1/4" = 1'-0"		NO.		DATE	ISSUED FOR	BY	DESIGNED:	DRAWN:	CHECKED:	PROJ. ENG.:	PRELIMINARY TREATMENT AND FIRST ANOXIC TANKS	SHEET: 211
DATE: AUG 1995		NO.		DATE	ISSUED FOR	BY	DESIGNED:	DRAWN:	CHECKED:	PROJ. ENG.:	PRELIMINARY TREATMENT AND FIRST ANOXIC TANKS	SHEET: 211

L:\345\WTP\4480211.DWG 12/06/00 14:17 mef